

INSTALLATION INSTRUCTION

VT-852

WALL LAMP



INTRODUCTION

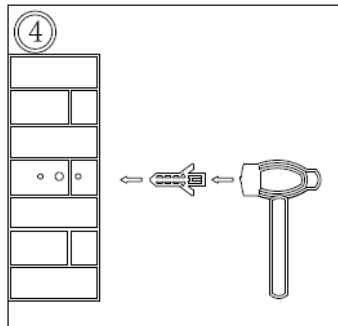
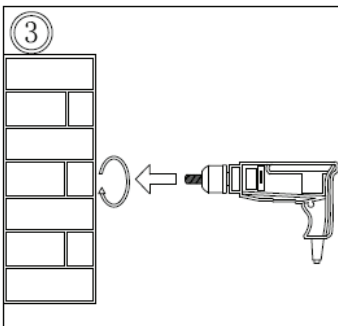
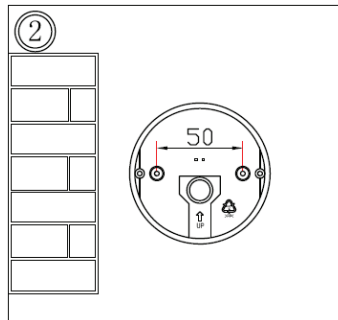
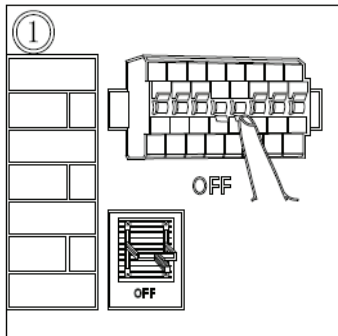
Thank you for selecting and buying V-TAC LED Panel light. V-TAC will serve you the best. Please read these instructions carefully before starting the installation and keep this manual handy for future reference. If you have any other query, please contact our dealer or local vendor from whom you have purchased the product. They are trained and ready to serve you at the best.

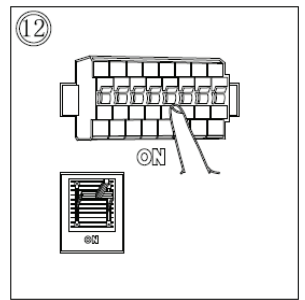
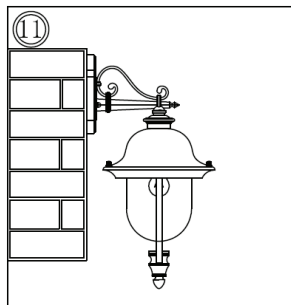
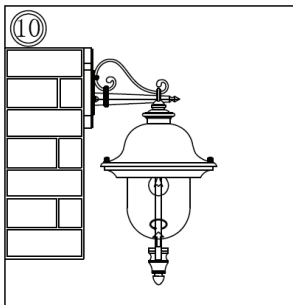
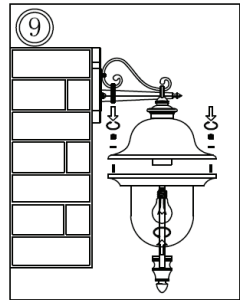
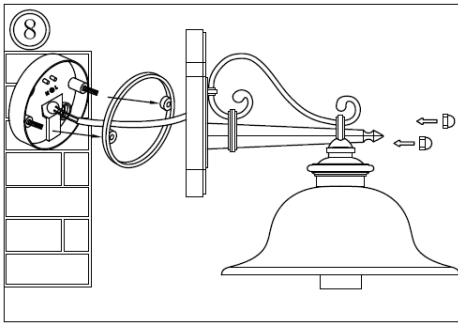
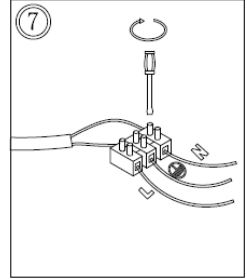
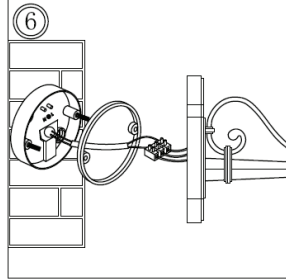
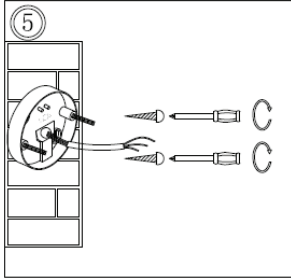
WARNING

1. ENSURE ELECTRICITY IS SWITCHED OFF BEFORE INSTALL.
 2. PLEASE READ THROUGH ALL FOLLOWING INSTRUCTIONS BEFORE INSTALLING THE UNIT.
 3. USER SHOULD PREPARE NECESSARY ACCESSORIES AND SPARE PARTS (NOT PROVIDED).
-

MOUNTING STEP

1. Turn off the power.
2. Drill the holes in the wall (as per the distance showed on pic 2).
3. Dig the plastic into the hole, and fix the plastic cover onto the wall.
4. Connect supply leads with terminal brown (L) to brown, blue (N) to blue and greenish-yellow () to greenish-yellow.
5. Tighten the nuts to fix the wall arm.
6. Screw the bulb into the lampholder.
7. Screw the nut to fix the top cap.
8. Tighten the nuts to fix down the lamp.
9. Screw the PC cover into the lamp housing.
10. Turn on the Power.





NOTICE

- Risk of shock, hence disconnect at fuse or circuit breaker before installation or servicing.
- Suitable for a Maximum use of 10-12 Hours Daily. Usage of product for 24Hours a day would void the warranty.
- Consult a certified technician if you are unsure.

WARRANTY

- This product is warranty from manufacturing defect only.
- The warranty is valid for 2 years from the date of purchase.
- The warranty does not apply to damage caused by installation or abnormal wear and tear.
- The company gives no warranty against damage to any surface due to incorrect removal and installation of the product.

WARNING

- This is a high-powered LED. As with any light source, direct viewing should be avoided.
- Note: Although easy to fit, this lamp requires wiring to the main and safety should only be fitted by a qualified electrician.
- Having issued this warning, the company accepts no responsibility for issues arising for any failures to comply with these clear instructions.
- The company will not accept any responsibility for any other issues from improper use of fitting of this product as these matters are beyond our control.