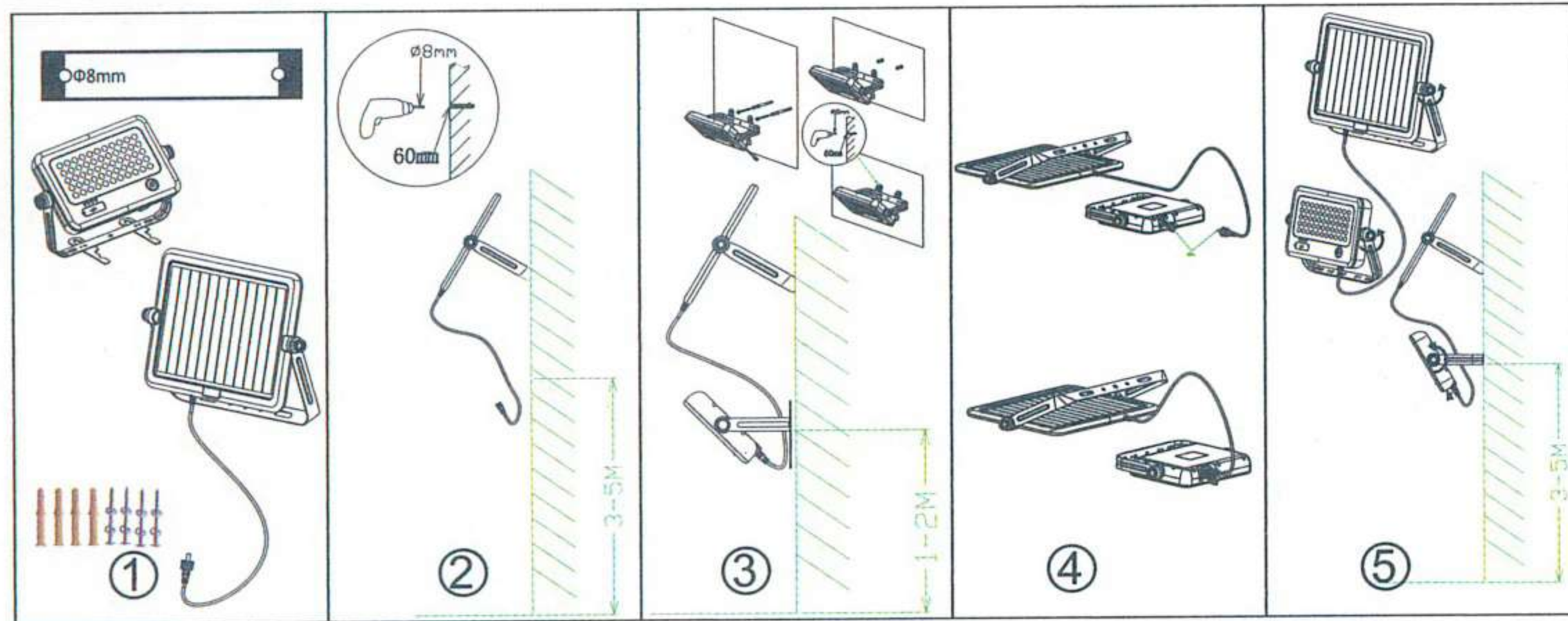


Installation



1. Take out of the whole lamp from package, confirm the installation location and wire length. (Figure ①)
2. Use the card to measure hole position correctly and drill 4 holes of 8mm with depth 60mm on the wall. (Figure ②)
3. Fix expansion screw into the holes with a spare space, then fix the solar panel & LED lamps. (Figure ③)
4. Open the silicon cover at the bottom of the lamp, connect the wire from the solar panel to the lamp and screw it tightly. (Figure ④)
5. Adjust the solar panel and LED lamp to the right position according local latitude and lighting direction. (Figure ⑤)

Notice & Warning

1. This is a solar powered lamp, please install it in a location where can get enough sunshine.
2. Please note the lighting time depends on sunshine duration & weather.
3. Built-in intelligent IC with over-charge, over-discharge and over-voltage protection.
4. The lamp is equipped with an internal battery pack, which is replaceable. If any need, please contact seller for correct new battery pack.
5. Non-professionals please do not disassemble the lamp.
6. Please do not dispose the battery with household garbage to avoid explosion.



INNOVATIVE LED LIGHTING INSTRUCTION MANUAL



10W/1100LM



Model: VT-788-10

Please read and follow all instructions to operate.
Save this manual for future reference.

Specification

SKU	8674
Power/Lumen	10W/1100LM
LED Type	SMD2835*55PCS
Battery	3.7V/7200mAh Lithium battery,replaceable
Solar Panel	6.5Wp+4.5Wp Mono-Crystalline Silicon
Detection Area	<8m (Radar Sensor)
Beam Angle	90°
Lifespan	35000hrs
IP Class	IP65
Wire length	3Meters
USB Discharge	5.0V/1.0A
DC-Micro Charge	5.0V/1.0A

Working Mode

According to the connection of the lamp body with solar panel, the lamp will automatically recognize the Sensor mode & Constant lighting mode & Power bank function

Mode A: Constant Lighting Mode (Lamp separate with Solar Panel)

Under this work model, the Radar sensor & Photocell induction will not work.



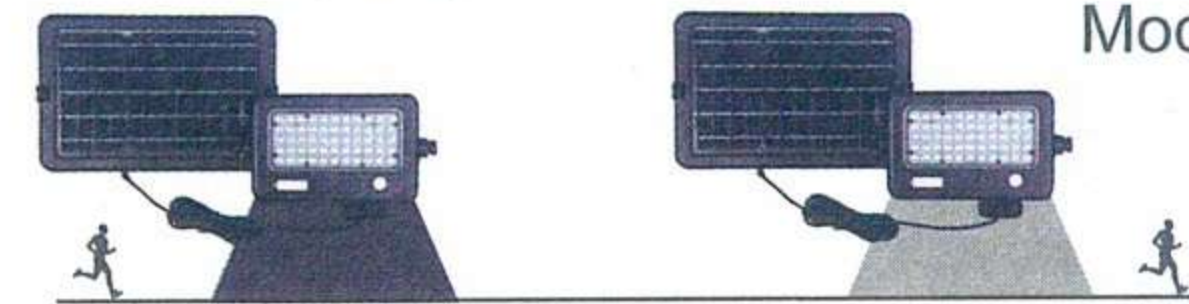
Mode A1: Press 1st time to 50% Constant Brightness .

Mode A2: Press 2nd time to 100% Constant Brightness.

Mode A3: Press 3rd time turn off

Mode B: Sensor Mode (Lamp body connected with Solar Panel)

Under this work mode, the lamp will automatically turn on at night turn off at day time.



Mode B1: Automatically turns on full brightness(1100lm) when motion is detected in range $\leq 8m$ and then turns to 5% brightness in 20 seconds of no motion.



Mode B2: Automatically turns on and remain 100% brightness(1100lm) for 5hours. After 5hours or when battery capacity < 30% it turns to Mode B1.

Mode B3: Press 3rd time, turn off

Additional Power Bank Function



USB Discharge: 5.0V/1.0A
DC-Micro Charge: 5.0V/1.0A



Suitable your present USB Cable

ON/OFF/Mode

Features



Solar Powered



ZERO Electricity Cost



Light on/off Automatically



Radar Inductive/
Constant Light Mode



4 Working Modes



IP65 Waterproof



Battery Replaceable



Power Bank